

ICEER

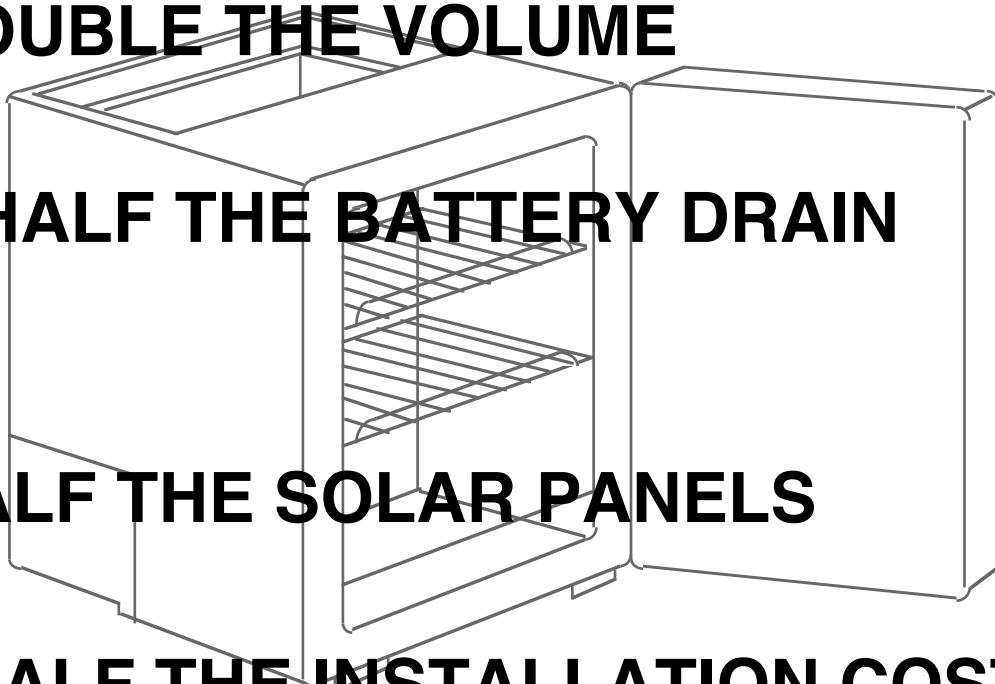
REFRIGERATOR SYSTEMS

DOUBLE THE VOLUME

HALF THE BATTERY DRAIN

HALF THE SOLAR PANELS

HALF THE INSTALLATION COSTS



I NTELLIGENTLY

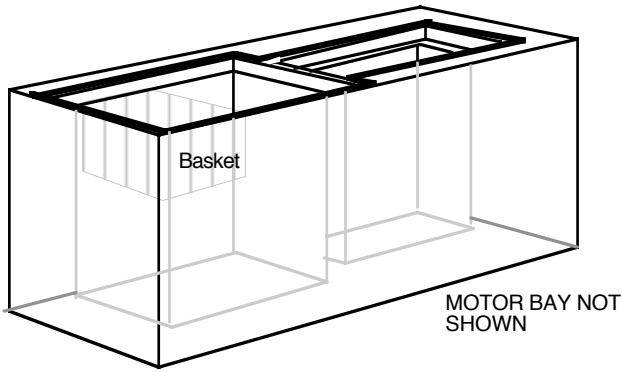
C ONTROLLED

E NERGY

E FFICIENT

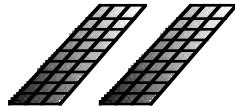
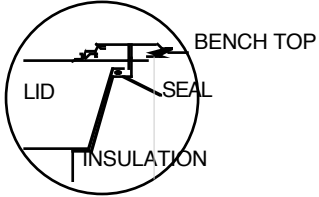
R EFRIGERATION

ICEER 100 & 105 UNDER BENCH FRIDGE / FREEZER MODELS



SPECIFICATIONS:-

100	CAPACITY	Fridge 75 litres	Freezer 23 litres
	DIMENSIONS	L 950 X H 620 X W 460 mm	
105	CAPACITY	Fridge 75 litres	Freezer 30 litres
	DIMENSIONS	L 1100 X H 620 X W 480 mm	
	WEIGHT	50 Kg	
	POWER	12 or 24 Vdc	
	12V CONSUMPTION	5 amps	
	AVERAGE HRS RUN PER DAY	6 hrs	



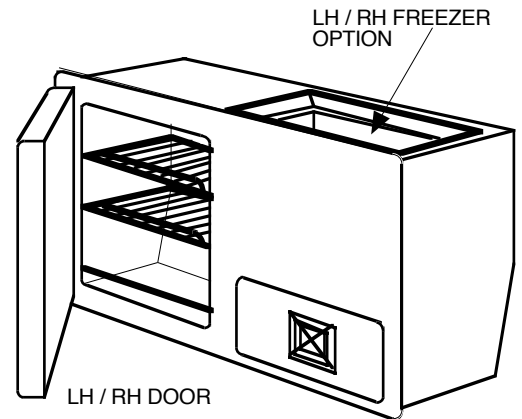
*** 2 X 80 WATT SOLAR PANELS WILL RUN THIS UNIT ALL YEAR ROUND ***

ICEER 130 & 160 UNDER BENCH FRIDGE / FREEZERS MODELS

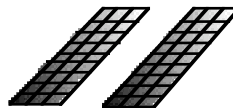
SPECIFICATIONS:-

130	CAPACITY	Fridge 96 litres	Freezer 30 litres
	DIMENSIONS	L 1130 X H 840 X W 400mm	
160	CAPACITY	Fridge 120 litres	Freezer 38 litres
	DIMENSIONS	L 1130 X H 840 X W 500mm	
	WEIGHT	60 Kg	
	POWER	12 or 24 Vdc	
	12V CONSUMPTION	5 amps	
	AVERAGE HRS RUN PER DAY	8 hrs	

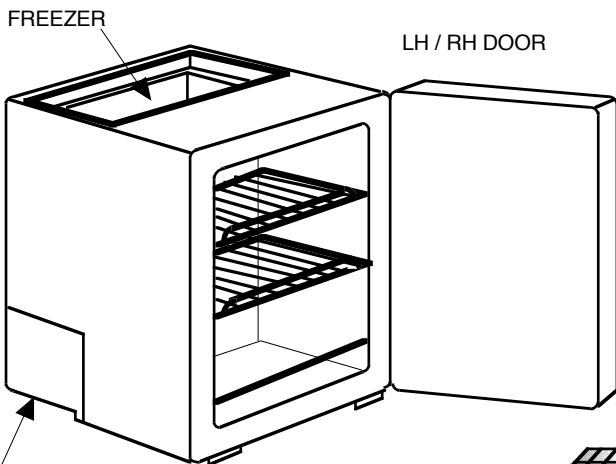
Note * Door not include in width add 80 mm



*** 2 X 80 WATT SOLAR PANELS WILL RUN THIS UNIT ALL YEAR ROUND ***

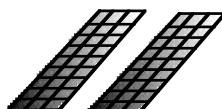


ICEER 150 UPRIGHT FRIDGE / FREEZER MODEL



SPECIFICATIONS:-

CAPACITY	Fridge 96 litres
	Freezer 30 litres
DIMENSIONS	L 620 x H 830 x D 750mm
WEIGHT	60 Kg
POWER	12 or 24 Vdc
12V CONSUMPTION	5 amps
AVERAGE HRS RUN PER DAY	6 hrs



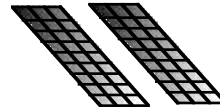
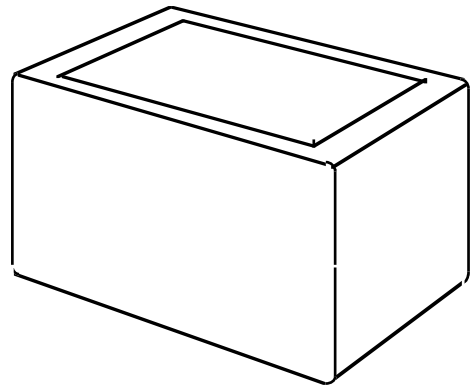
*** 2 X 80 WATT SOLAR PANELS WILL RUN THIS UNIT ALL YEAR ROUND ***

ICEER 75 UNDER BENCH FREEZER MODEL

SPECIFICATIONS:-

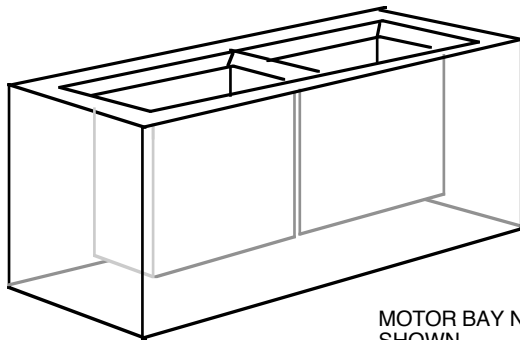
75 UNDER BENCH Freezer 75 litres
DIMENSIONS L 800 X H 680 X W 600mm
 (Note * Motor bay is not included in this dimensions)

WEIGHT 50 Kg
POWER 12 or 24 Vdc
12V CONSUMPTION 5 amps
AVERAGE HRS RUN PER DAY 7 hrs



*** 2 X 80 WATT SOLAR PANELS WILL RUN THIS UNIT ALL YEAR ROUND ***

ICEER 71 & 60 UNDER BENCH FREEZERS MODELS



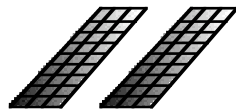
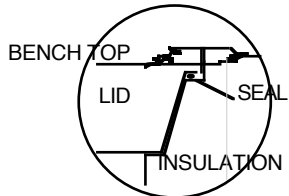
MOTOR BAY NOT SHOWN

SPECIFICATIONS:-

71 UNDER BENCH Freezer 71 litres
DIMENSIONS L 1140 X H 590 X W 400 mm

60 UNDER BENCH Freezer 60 litres
DIMENSIONS L 1000 X H 590 X W 400mm

WEIGHT 50 Kg
POWER 12 or 24 Vdc
12V CONSUMPTION 5 amps
AVERAGE HRS RUN PER DAY 8 hrs

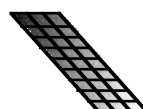
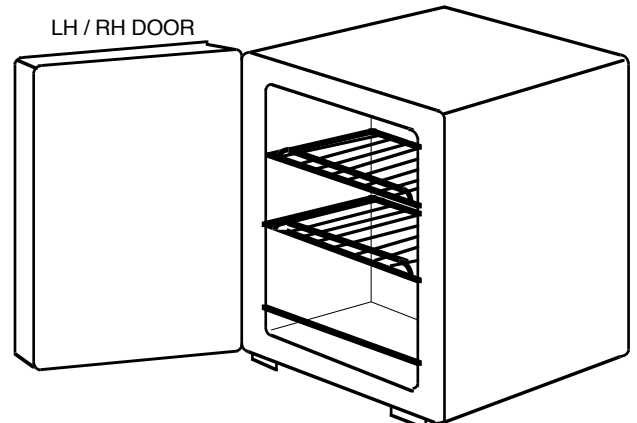


*** 2 X 80 WATT SOLAR PANELS WILL RUN THIS UNIT ALL YEAR ROUND ***

ICEER 170 FRIDGE

SPECIFICATIONS:-

CAPACITY 170 litres
DIMENSIONS L 620 X H 830 X D 750mm
WEIGHT 60 Kg
POWER 12 or 24 Vdc
12V CONSUMPTION 6 amps
AVERAGE HRS RUN PER DAY 4 hrs



*** 1 X 80 WATT SOLAR PANEL WILL RUN THIS UNIT ALL YEAR ROUND ***

ICEER

DOUBLE THE VOLUME * HALF THE BATTERY DRAIN
HALF THE SOLAR PANELS * HALF THE INSTALLATION COST

I **NTELLIGENTLY** monitors variables such as ambient temperature, motor performance, internal cabinet temperature and gas charge.

C **ONTROLS** all variables electronically.

E **NERGY** or battery drain to achieve maximum cooling effectiveness is always at an absolute minimum.

E **FFICIENT** intelligent control of the system gives maximum volume for minimum power. You can literally double the volume for half the power.

R **EFRIGERATION** You now have a fully sealed **134A** unit with -12° C freezer, even in the hottest of tropical climates.

BACKED BY A * 2 * YEAR GUARANTEE

FEATURES:-

- MINUS 12° C FREEZERS
- WORKS IN 45° C TEMPERATURE
- FULLY MOULDED FIBREGLASS
- EASY TO CLEAN WHITE GLOSS
- LEAVE RUNNING ALL YEAR
- CFC FREE , OZONE FRIENDLY
- 12V OR 24V DC
- INDICATION LIGHTS
- MADE IN AUSTRALIA

OPTIONS:-

- TOP OR BOTTOM DOOR HANDLE
- LH OR RH HINGE DOOR
- MOTOR LOCATION
- SOLAR PANELS
- **CUSTOM MADE UNITS TO YOUR REQUIREMENTS**

SEE ONE AT YOUR AGENT

MAL BETTS Mobile 0419 674 135